

DATE  
Dec. 7, 2016  
Cat. #: JPP0306

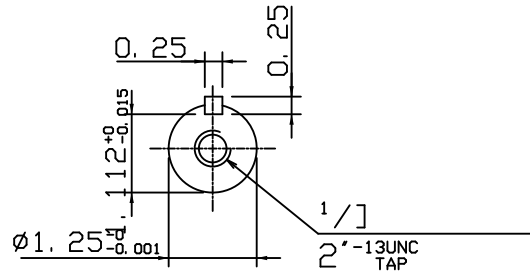
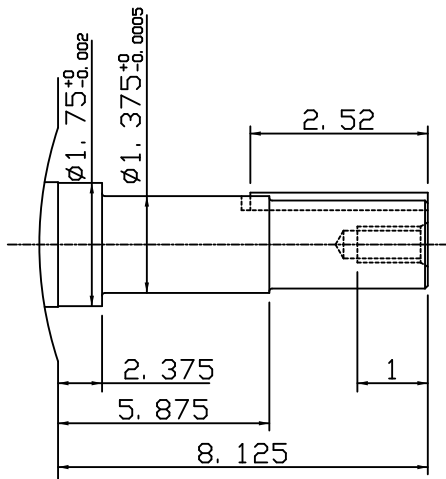
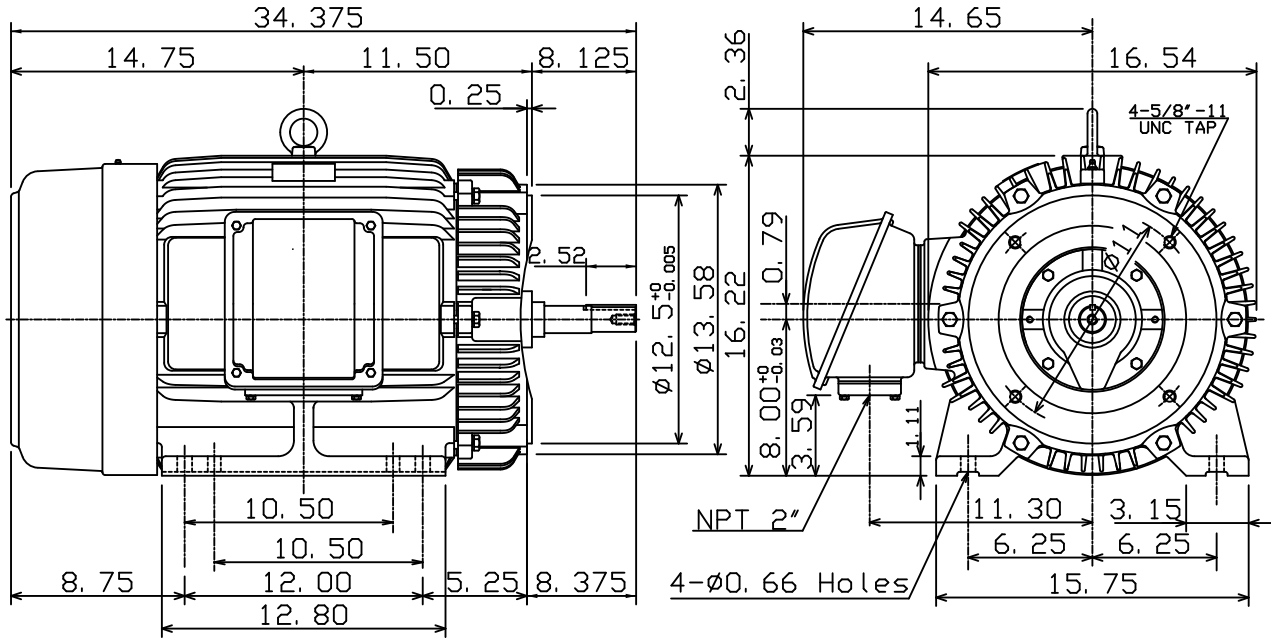
OUTLINE DIMENSIONS  
3-PHASE INDUCTION MOTOR

MOTOR TYPE:  
AEHH8NJP  
FRAME NO. 326JP

Pole	HP	kW	Hz	VOLT	Syn. Speed r/min(rpm)
6	30	22.4	60	230/460	1200

Ins	Rating	Dimension in	Approx Weight	Bearings	
F	CONT.	inches	660 lbs.	DE: 6312	NDE: 6212

Totally Enclosed Fan-Cooled Type, Squirrel-Cage Rotor.



DWN.	K. L. KUO	02-13-08
CHKD.	K. L. KUO	02-14-08
APPD.	M. C. TSAI	02-14-08



DWG NO.  
31057H209510